



: PaX-Uni3D



Upgradeable digital radiography

We care for our customers
We care for your patients
We care for our partners

With insight, *Caring Insight*



The world's leading Dental Imaging Company

At Vatech & E-Woo, we follow a simple business philosophy; to develop our talent and technology to create superior products and services that contribute to a better medical environment.

The three circles you see on the Vatech logo signify our commitment to this philosophy. They represent passion, speciality and innovation.

These are the core values at the heart of every decision the company makes.

: PaX-Uni3D



The best diagnostic solution



Features of PaX-Uni3D

- ▶ Option to add on CBCT and/or One Shot Ceph modules
- ▶ The fastest scan time: 8 seconds in CBCT scan, only 0.9 sec in One Shot Ceph (optional)
- ▶ Built-in sensors with auto-switching functions
- ▶ Upgradeable FOV from 5 x 5 to 8 x 5 for more diagnostic versatility



3 in 1 System

PaX-Uni3D _ 3D & Pano system



The PaX-Uni3D is a true 3 in 1 system. It provides a one-stop solution to dental imaging, allowing users to experience the versatility of its 3 in 1 system.



Auto-Switching between Panoramic & CBCT Sensors



Value added technology

Value added with 3D imaging

CT is regarded as basic equipment for radiographic examination in implant surgery. Successful implant surgery is assured since you can plan and prepare for surgery in advance. With PaX-Uni3D, it adds value to your practice for a clearer competitive edge.

Optimal FOV: 5x5 and 8x5

- ▶ FOV 5 x 5 enables users to see a quadrant. FOV 8 x 5 enables users to see an arch of a jaw. It is the optimum solution for most dental applications, including implants, endodontics and implant surgery.

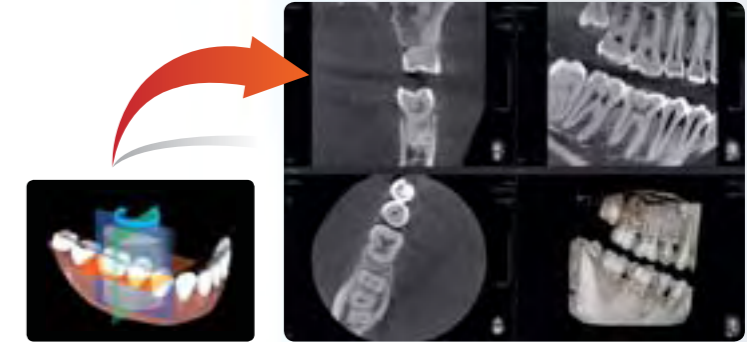
Low radiation dosage

- ▶ PaX-Uni3D provides the best image quality with reduced X-ray dosage. Having an 8 second scan means lower radiation exposure for the patient.

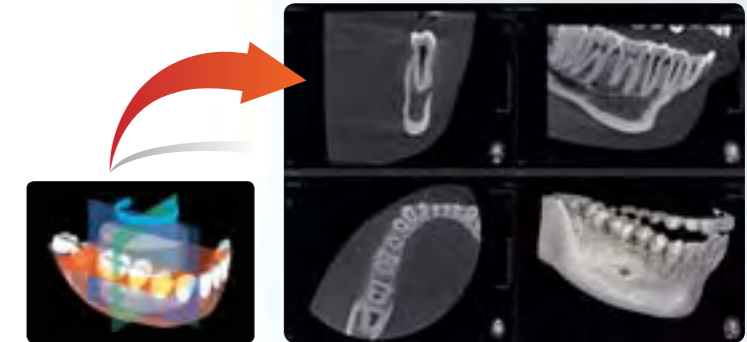
Perfect positioning

- ▶ Patient positioning is made simple with Scout View function or with the automatic chin rest to adjust patient quickly for a precise scan.

**Scout View function is not available with FOV 8x5*



FOV 5 x 5



FOV 8 x 5

The Most Advanced Technology

- ▶ ALC (Adaptive Layer Control) Technology
- ▶ CAN (Controller Area Network) System
- ▶ AOP (Automatic Optimising Process) Technology
- ▶ Auto-Switching Technology
- ▶ EzRecon Technology

	INCISOR	MANDIBULAR CANAL	MAXILLARY MOLAR
NORMAL MODE ▶			
	↓ ↓ ↓	↓ ↓ ↓	↓ ↓ ↓
SPECIAL MODE ▶			

: PaX-Uni3D _ One Shot Cephalometric

→ PaX-Uni3D OS has been developed in close consultation with leading orthodontists and exceeds the criteria set for it.



Cephalo Sensor Module →



One Shot Cephalometric system

Exposure time: 0.9 seconds

- ▶ No image distortion
- ▶ No motion artefact with reduced X-ray exposure time.

Reduced X-ray exposure dose

- ▶ Significant reduction of X-ray exposure dose.

High sensitivity

- ▶ New area sensor offers twice as much sensitivity as film sensors.
- ▶ This enables orthodontic specialists to have the very best images, never before possible.

FPXD for Orthodontic Specialists

- ▶ Flat Panel X-ray Detector (FPXD) co-developed by VATECH & SAMSUNG Electronics.
- ▶ FPXD is the ideal combination of VATECH's X-ray detector technology and SAMSUNG's TFT technology.



Cephalometric Area Sensor
Panel area: 11.04" (H) x 13.38" (V)
(2080 Data line x 2560 Gate line)

Fantastic image quality



Posterior - anterior



Lateral view



Carpus view

:PaX-Uni3D _ Technology for the User & Patient



One-Shot Cephalometric

- ▶ Scan time: 0.9 seconds
- ▶ Flat Panel X-ray Detector (FPXD) co-developed by VATECH & SAMSUNG



Auto-Switching Sensor

- ▶ Built-in Panoramic and CBCT sensors that can be switched automatically for 2D or 3D scans.

Auto Positioning

- ▶ The jaw is positioned automatically by the chin rest.

Guidance

- ▶ The LCD displays the patient's position for the user to view.
- ▶ Voice and LCD guidance gives clear instructions to the patient.

Touch Panel LCD

- ▶ During operation, users are able to use both PC and Touch Panel LCD to adjust patient settings.

Wheelchair accessible

- ▶ Specially designed for the convenience and comfort of patients.

Competitive Difference

Ez3D 2009 _ A range of applications from basic to professional



Customised software

Users can customise various features such as the composition and position of the toolbar. You can use it intuitively by deleting the unnecessary features and creating your own menu. Now you can enjoy uniquely customised software.

Intuitive and user-friendly

Menu bar

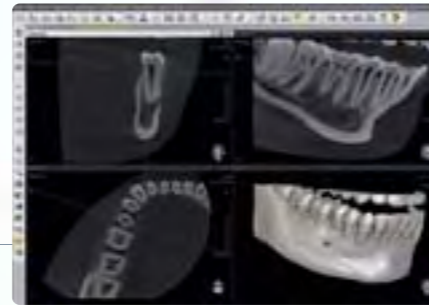
You can find the function you want conveniently by using the menu bar and toolbar at the same time.

Guidance

Guidance is given through anatomical icons displaying the direction of the image in a user-friendly interface.

Knowledge and information

Similar to a dictionary, it enables dentists to refer to the required clinical information conveniently when they perform implant surgery. This makes our software the definitive, state-of-the-art clinical and analysis tool for CBCT images.

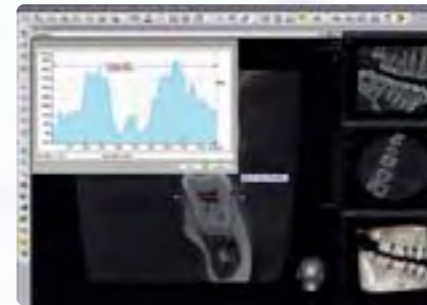


MPR View

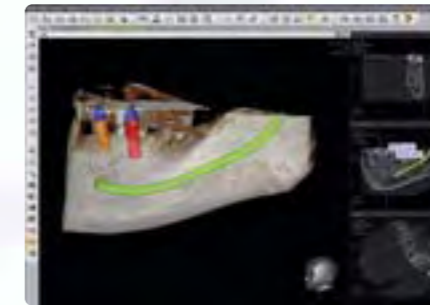


Rendering Image and Direction Guidance

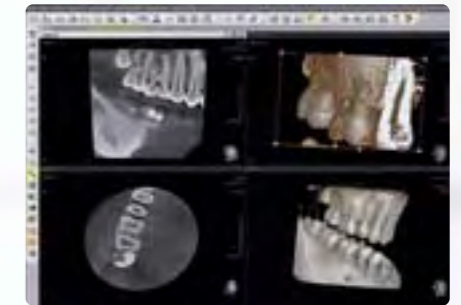
Precise Diagnosis



Profile



Canal Draw and Implant Simulation



3D Zoom

Profile

Displays the bone density profile enabling dentists to diagnose accurately and plan implant treatment.

Canal Manager

Canal size and colour can be adjusted, allowing accurate diagnosis and implant planning.

Implant Simulation

The Implant Simulation function reduces the risk during surgery and Ez3D 2009 allows simple and accurate planning without complicated processes seen in other software.

Various View Modes

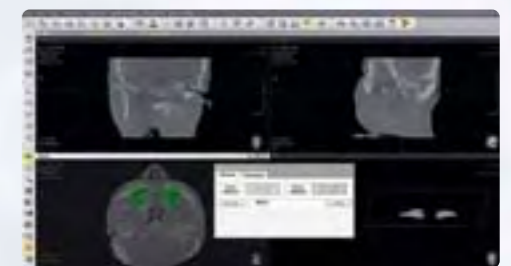
You can diagnose using various view modes such as Cross-sectional View, Oblique View and 3D zoom.

Automatic Mode

More convenient, fast and accurate surgery can be performed with the automatic Cross-Sectional and Canal Drawing.



Cross-sectional View



3D Volume Measurement

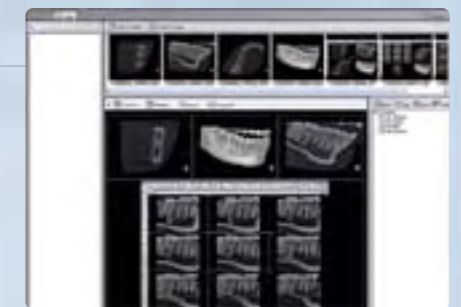
← MPR View

Data export

The Report and CD Publishing functions of Ez3D 2009 can be a useful tool for seminars and sharing of patients' information.

CD publishing includes viewing software along with the patient image and is ideal for referral centres.

- Powerful CD Publishing
- Free Simple Viewer
- EzReport

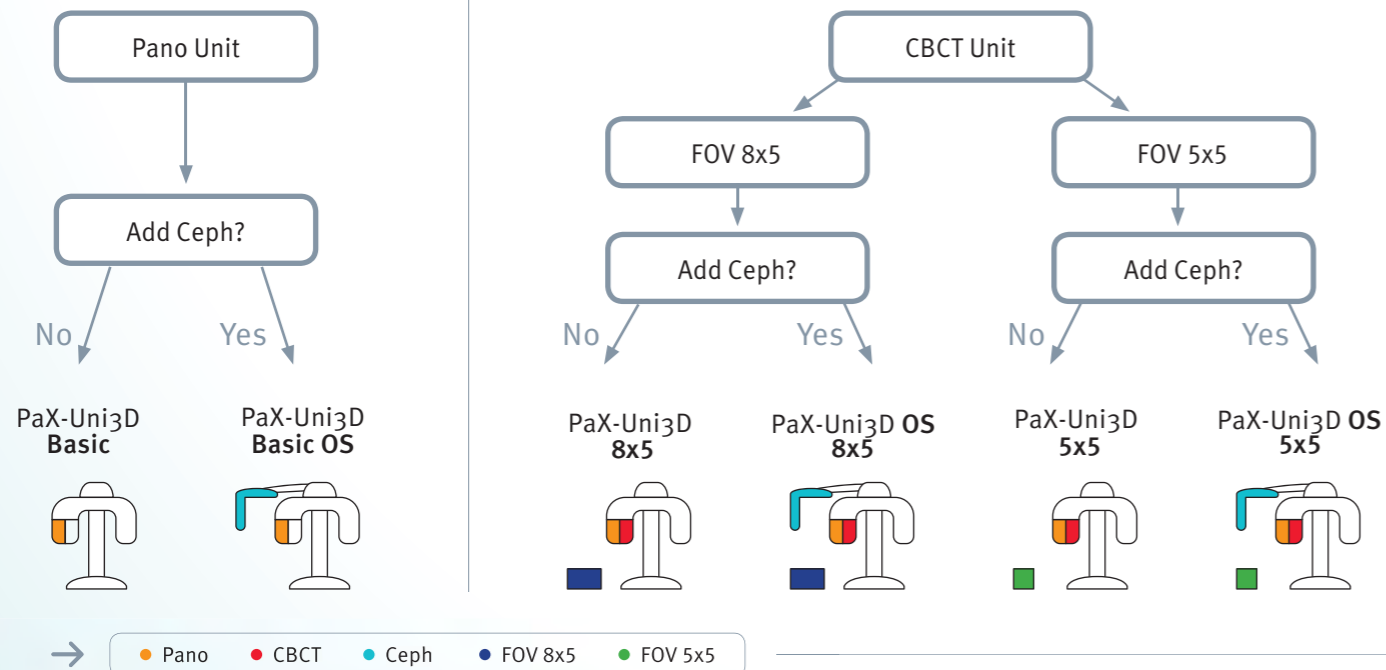


Counsel function



Which is the best PaX-Uni3D for me?

Excluding CBCT module → Including CBCT module



PaX-Uni3D Series - Product Configuration

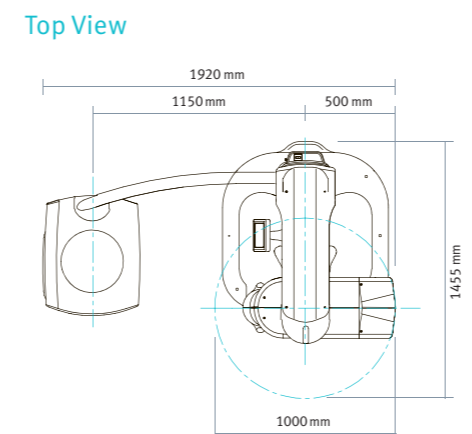
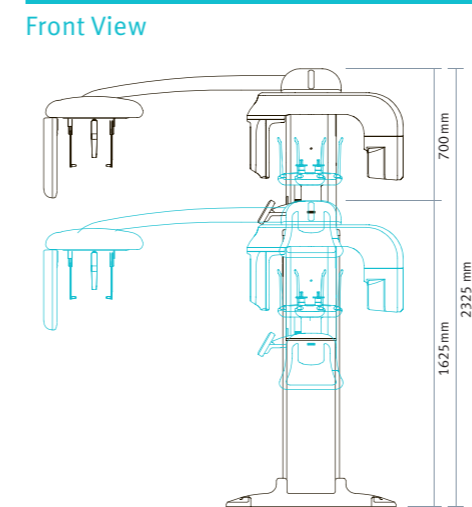
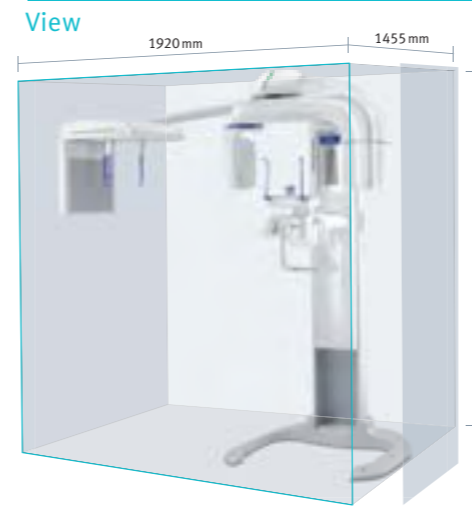
Model	Pano	CBCT	Ceph	Upgradeable
PaX-Uni3D Basic	●	X	X	●
PaX-Uni3D Basic OS	●	X	●	●
PaX-Uni3D	●	●	X	●
PaX-Uni3D OS	●	●	●	-

Upgradeable Module

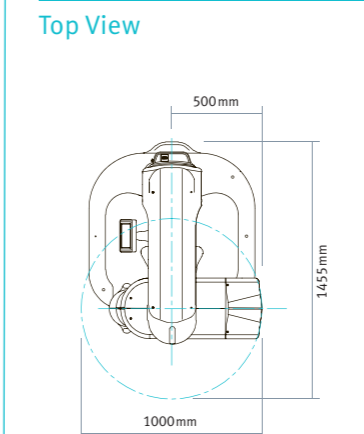
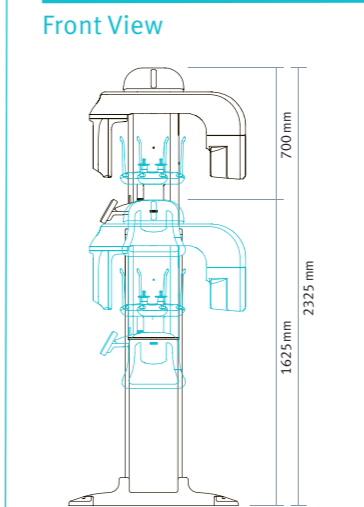
PaX-Uni3D is an upgradeable dental digital system, ideally suited to meet the needs of both the established and the growing practice. You can start with Panoramic and add Cephalometric and/or CBCT as and when you need.

PaX-Uni3D _ Dimensions

PaX-Uni3D OS Pano / CBCT / Ceph



PaX-Uni3D Pano / CBCT



Specification

PaX-Uni3D OS	
Function	CBCT + Pano + Ceph
FOV Size (cm)	5x5 / 8x5
Exposure Time	CBCT : 8sec/20sec Pano : 13.5sec Ceph : 0.9sec
Recon Time	30 Sec
Voxel Size	0.08/0.125mm
CBCT Sensor Type	FPD
Rotation per Scan	220° / 360°
Generator	Voltage: 50-90kVp (Pano/CT) 60-90kVp (Ceph) Current: 2-10mA
Focal Spot	0.5mm
Patient Position	Standing / Wheelchair accessible
Dimension(WxDxH mm)	1920x1455x2325

: World Wide Network



Head Office
 Factory
 CS Centre
 Branch Office



- Head Office** | Republic of Korea
- Factory** | China Shanghai, Republic of Korea Hwaseong, Republic of Korea Yongin
- CS Centre** | Europe_Germany / Asia_Singapore, Taiwan / North America_Houston
- Branch Office** | Europe_UK, France, Spain, Czech, Italy / Asia_China Beijing, China Shanghai, China Guangzhou, Hong Kong, Taiwan, Singapore / North America_New Jersey, Houston
- Dealers** | Europe_Belgium, Bulgaria, Croatia, Cyprus, France, Germany, Greece, Hungary, Italy, Netherlands, Poland, Portugal, Romania, Russia, Slovenia, Spain, Switzerland, Sweden, Ukraine / Asia_Bangladesh, Brunei, Hong Kong, India, Indonesia, Japan, Nepal, Malaysia, Myanmar, Pakistan, Philippines, Singapore, Sri Lanka, Taiwan, Thailand, Turkey, Vietnam / South America_Argentina, Bolivia, Brazil, Chile, Colombia, Nicaragua, Paraguay, Peru, Venezuela / North America_Canada, Mexico / Oceania_Australia, New Zealand / Africa_Egypt, Morocco, Libya, South Africa / Middle East_Iran, Iraq, Jordan, Kuwait, Lebanon, Saudi Arabia, Syria, Qatar, U.A.E, Yemen, Israel