



: PaX-Reve3D



The world's best 3 in 1

We care for our customers
We care for your patients
We care for our partners

With insight, *Caring Insight*



The world's leading Dental Imaging Company

At Vatech & E-Woo, we follow a simple business philosophy; to develop our talent and technology to create superior products and services that contribute to a better medical environment.

The three circles you see on the Vatech logo signify our commitment to this philosophy. They represent passion, speciality and innovation.

These are the core values at the heart of every decision the company makes.

: PaX-Reve3D

→ Revolutionising
Digital Radiographic
3D Imaging...

3 in 1 System
Ergonomic design

The Ultimate CT for the Professional

1. The largest FOV for 3 in 1

2. The first CT to offer "Free FOV"

- ▶ You can select FOV based on the purpose of diagnosis.

3. Secure the best image quality

- ▶ The smallest flexible voxel size (0.08mm - 0.3mm)
- ▶ MAR (Metal Artefact Removal) mode
- ▶ Auto Focusing Technology.

4. Reduced X-ray dosage with pulsed X-ray

5. Patient monitory video system

6. One shot Ceph

7. User-friendly functions

- ▶ Better communication between patient and staff
- Camera & Voice function
- ▶ Multi-language function.

8. EzRecon - Short reconstruction time

- ▶ Reconstructed images acquired in the shortest possible time by the GPU algorithm.

9. Modern, elegant design

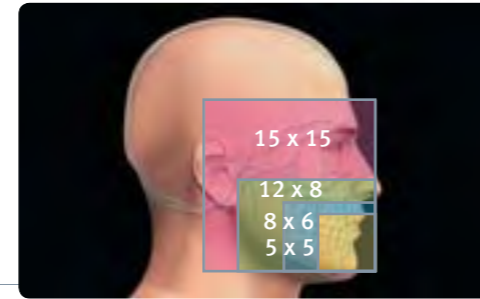
- ▶ Compact design requiring very little space
- ▶ Wheelchair accessibility



PaX-Reve3D _ The ultimate solution for the professional - functionality & technology

Free FOV

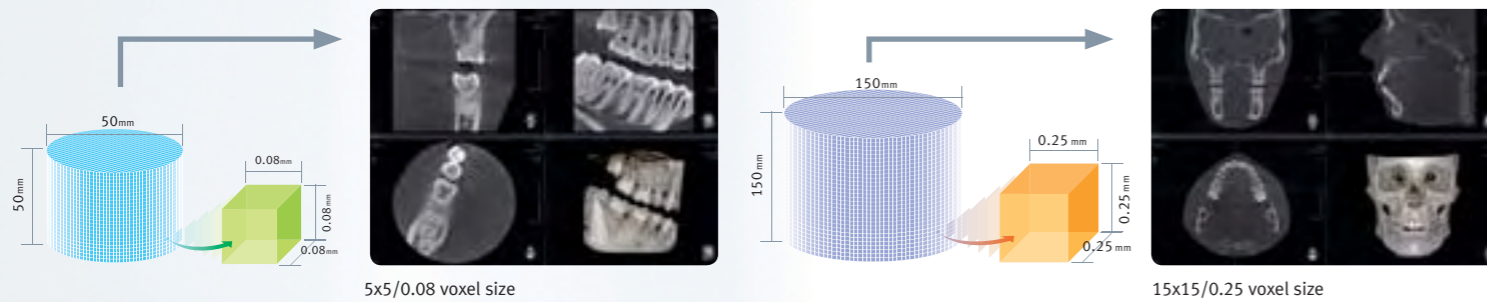
PaX-Reve3D is the first dental CT which offers the Free FOV function. It offers variable FOV from 5 x 5 to 15 x 15. Within this range, you can freely select the region of interest and size of the FOV accordingly, based on the need or purpose of the diagnosis. This revolutionary function improves the accuracy and efficiency of diagnosis and reduces radiation dosage to the minimum by capturing only the required FOV size.



FOV Size

The smallest flexible voxel size

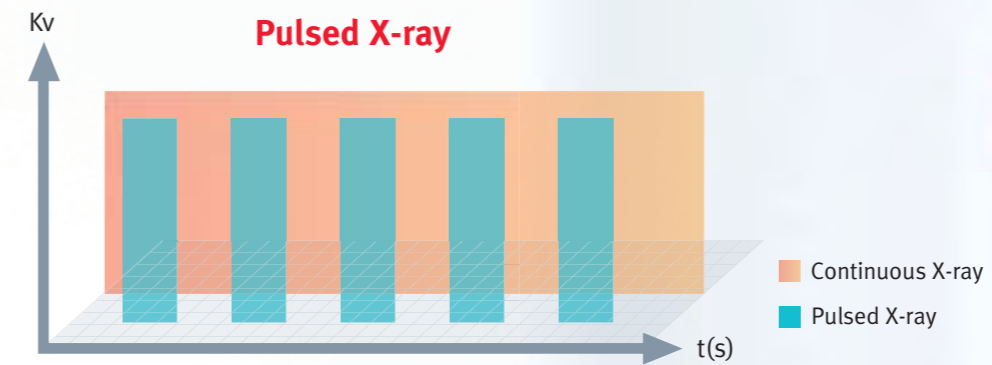
PaX-Reve3D offers an extended range (0.08 - 0.3mm) of voxel size. You can efficiently select voxel sizes based on the FOV size. These flexible voxel sizes enhance the efficiency of the imaging process, giving you the freedom to take a diagnostic image of the area of interest. Additionally, the smallest voxel size (0.08mm) means the Reve3D provides extremely high definition images.



5x5/0.08 voxel size

15x15/0.25 voxel size

Extremely low X-ray dosage



It is our philosophy to provide optimised image quality using reduced X-ray dose. The pulsed type generator reduces radiation by 40-60%, providing improved patient care.

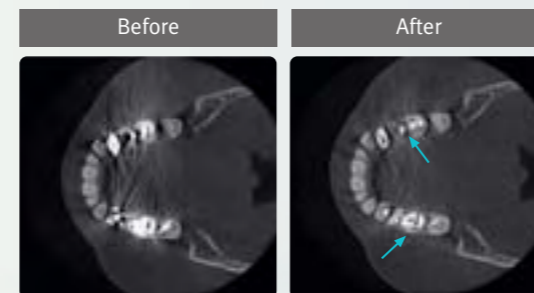
The state-of-the-art technology for high-quality images

The most important aspect of the PaX-Reve3D is that it gives you the best image quality. Designed to improve the accuracy of diagnosis and quality of treatment, PaX-Reve3D's unique image processing system raises the level of X-ray imaging.

MAR (Metal Artefact Remove) Technology

New technology from VATECH & E-WOO

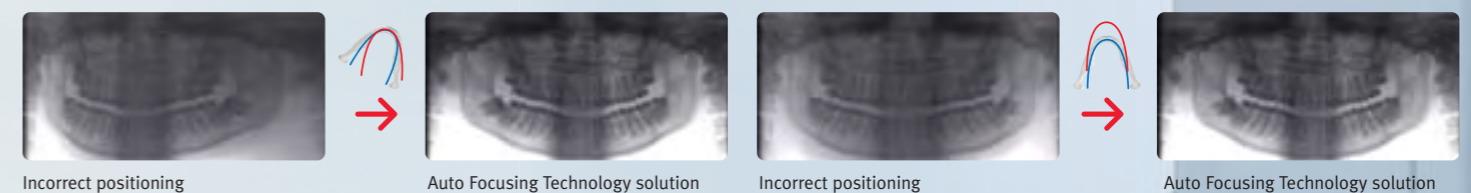
To obtain ideal 3D images, VATECH & E-WOO has improved the MAR system offering superior diagnostics to modern dentistry. Artefacts arising from metal objects can cause significant problems in the image quality of adjacent structures and prevent accurate diagnosis. VATECH's newly developed MAR technology minimises artefacts, providing excellent image quality.



Auto Focusing Technology

Auto Focusing Technology divides the dental arch into five sections within the focal trough and analyses the image data from thirteen different layers within each section. It selects the best layer from each section to ensure that the images are optimised irrespective of poor patient positioning and/or atypical patient arch.

Comparison of images with incorrect patient positioning (Auto Focusing Technology)

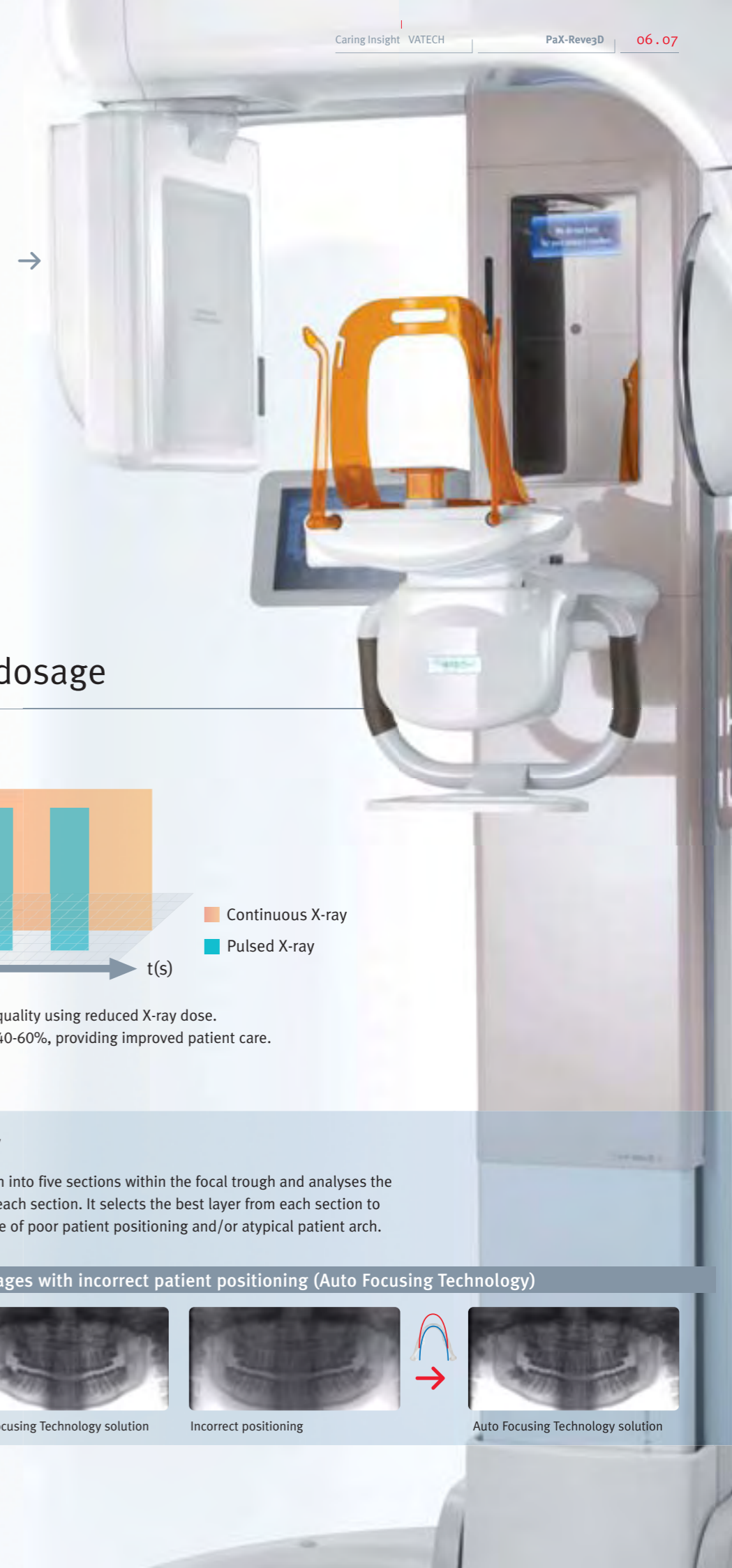


Incorrect positioning

Auto Focusing Technology solution

Incorrect positioning

Auto Focusing Technology solution



PaX-Reve3D _ The most advanced cephalometric system

One Shot Cephalometric system

High resolution

High resolution images are produced using Flat Panel X-Ray Detector (FPXD) technology which is the benchmark standard in medical diagnostics.

High sensitivity

FPXD area sensor offers twice as much sensitivity as conventional film.

Short exposure time: 0.9 seconds

No motion artefacts or distortion with short exposure time.

VATECH's One Shot Cephalometric system provides the very best image, never before available to Orthodontic Specialists, with the least X-Ray radiation dosage.



FPXD for Orthodontic specialists

- ▶ Flat Panel X-ray Detector (FPXD) co-developed by VATECH & SAMSUNG Electronics
- ▶ FPXD is the ideal combination of VATECH's X-ray detector technology and SAMSUNG's TFT technology



vatech **samsung**

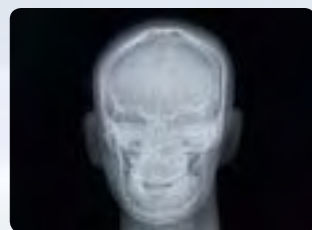
Cephalometric Area Sensor
 Panel area: 11.04"(H) x 13.38" (V)
 (2080 Data line x 2560 Gate line)

Flat Panel X-ray Detector: FPXD

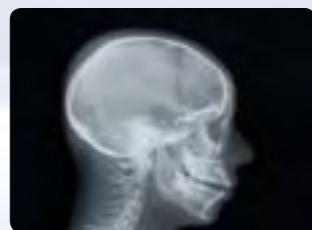
↑ ONE SHOT CEPHALOMETRIC

A separate column height adjustment control on the One Shot Cephalometric allows patients to be positioned efficiently and conveniently.

Fantastic Image Quality



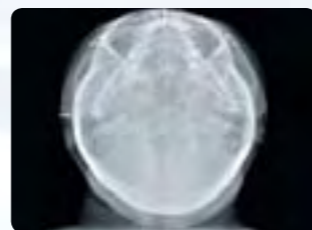
Posterior - anterior



Lateral view



Carpus view



SMV view

THE ULTIMATE FOR PROFESSIONALS - EXCEPTIONAL DESIGN & SPECIAL FEATURES

Camera & Voice Communication

With the integrated camera and voice system, Reve3D enables visual monitoring and voice communication between patient and staff. In particular you can check the position of the patient again before scanning via the integrated camera so that more accurate scanning can be performed.

Touch Panel LCD

With the touch panel LCD, you can easily operate various parameters for capture. You can also ensure the correct positioning of the patient.

Accessories Box

PaX-Reve3D has enough space to store the patient's jewellery, glasses etc. without loss or damage.

Dual Speed Vertical Movement

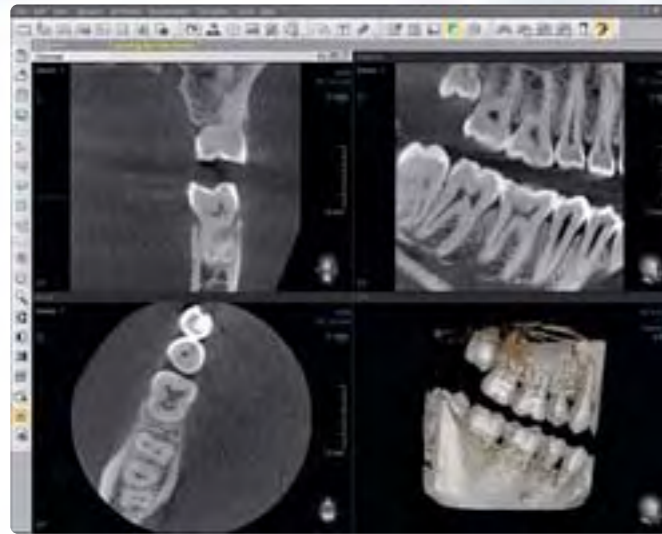
Motorised, weight balanced up/down movement allows fast and precise height adjustment with no vibration and low noise.

Perfect Wheelchair Accessibility

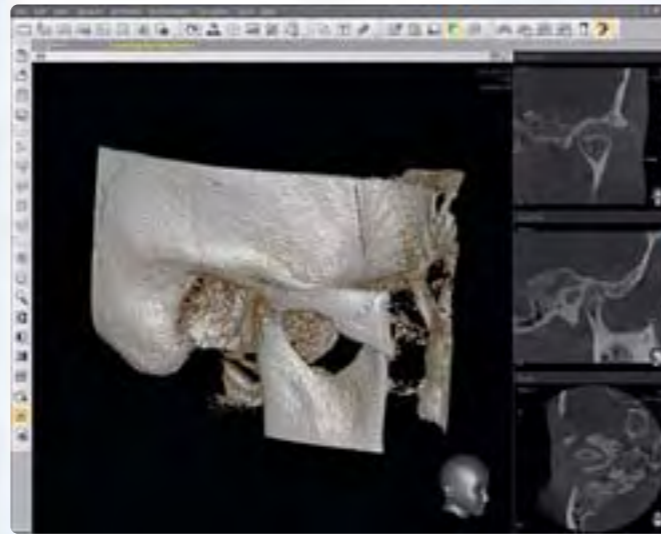
With a base design allowing access for wheelchairs, PaX-Reve3D increases the accessibility for wheelchair users providing easy patient positioning.



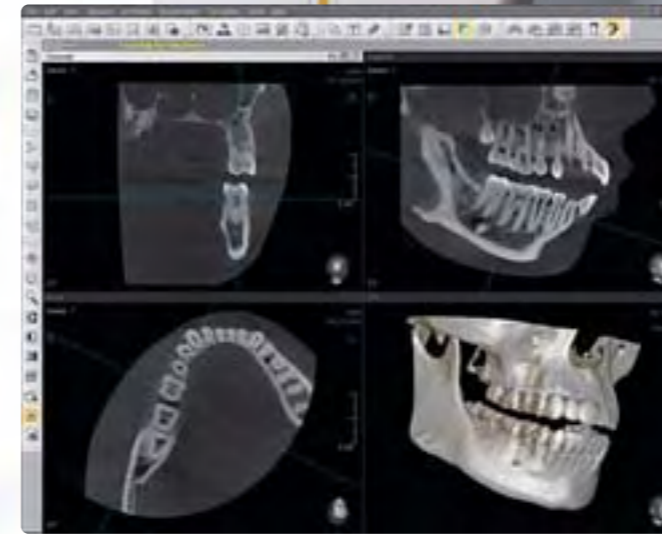
The ultimate for professionals... high quality images



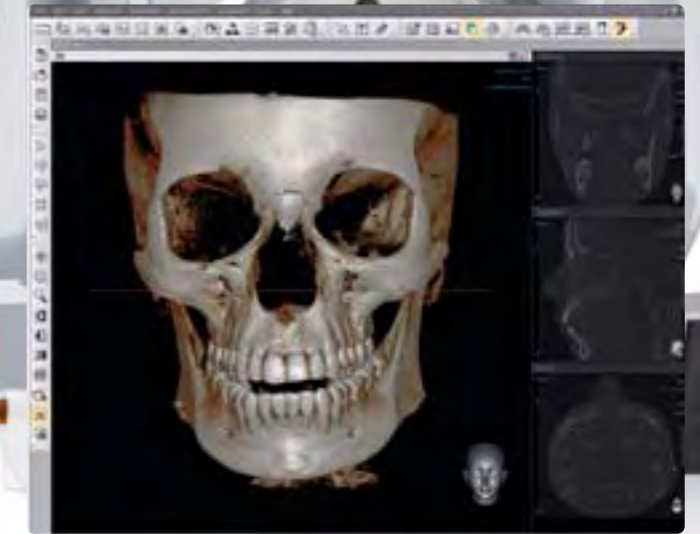
FOV 5x5



FOV 8x6



FOV 12x8



FOV 15x15

With a FOV of 5x5, you can minimise the exposure dose of the patient while obtaining a detailed image of the area you want in a very short time

With a FOV of 8x6, you can obtain information for one single arch. You can also select the area you want through the various capture modes; upper & lower jaw, TMJ and occlusion. The flexible capture mode also contributes to reducing patient dose.

With a FOV of 12x8, the status of the entire dental arch is determined in just one scan for implant surgery. More accurate and safer placement of implants can be achieved by obtaining anatomical information on the inside of the maxillary sinus.

With a FOV of 15x15, you can obtain detailed anatomical information of the maxillofacial image including both TMJ and sinus with just one scan.

Ez3D 2009 _ A range of applications from basic to professional



Customised software

Users can customise various features such as the composition and position of the toolbar. You can use it intuitively by deleting the unnecessary features and creating your own menu. Now you can enjoy uniquely customised software.

Intuitive and user-friendly

Menu bar

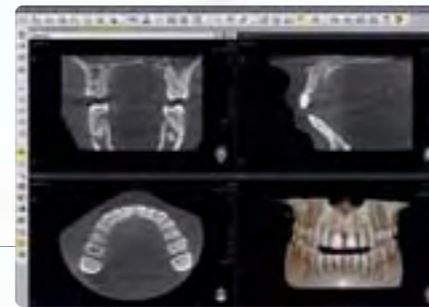
You can find the function you want conveniently by using the menu bar and toolbar at the same time.

Guidance

Guidance is given through anatomical icons displaying the direction of the image in a user-friendly interface.

Knowledge and information

Similar to a dictionary, it enables dentists to refer to the required clinical information conveniently when they perform implant surgery. This makes our software the definitive, state-of-the-art clinical and analysis tool for CBCT images.

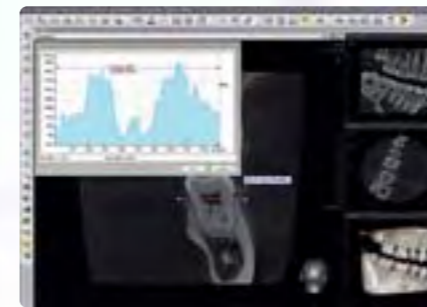


MPR view



Opacity Transfer Function (max.10 Graphy)

Precise Diagnosis



Profile



Canal Draw and Implant Simulation



3D Zoom

Profile

Displays the bone density profile enabling dentists to diagnose accurately and plan implant treatment.

Canal Manager

Canal size and colour can be adjusted, allowing accurate diagnosis and implant planning.

Implant Simulation

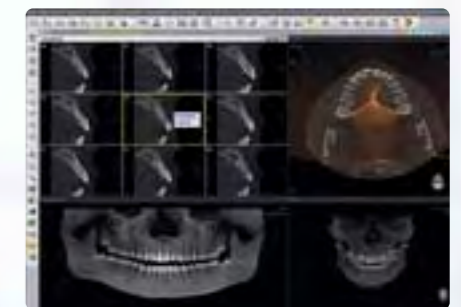
The Implant Simulation function reduces the risk during surgery and Ez3D 2009 allows simple and accurate planning without complicated processes seen in other software.

Various View Modes

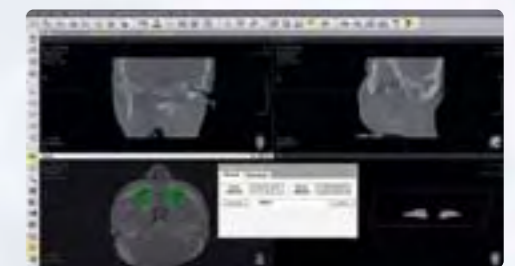
You can diagnose using various view modes such as Cross-Sectional View, Oblique View and 3D Zoom.

Automatic Mode

More convenient, fast and accurate surgery can be performed with the automatic Cross-Sectional and Canal Drawing.



Cross-sectional view



3D Volume Measurement

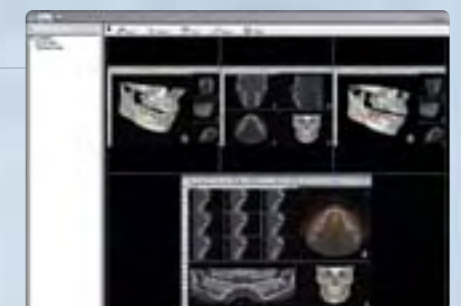
← Ceph Image Reconstruction

A more powerful function for orthodontic treatment

Data export

The Report and CD Publishing functions of Ez3D 2009 can be a useful tool for seminars and sharing of patients' information. CD publishing includes viewing software along with the patient image and is ideal for referral centres.

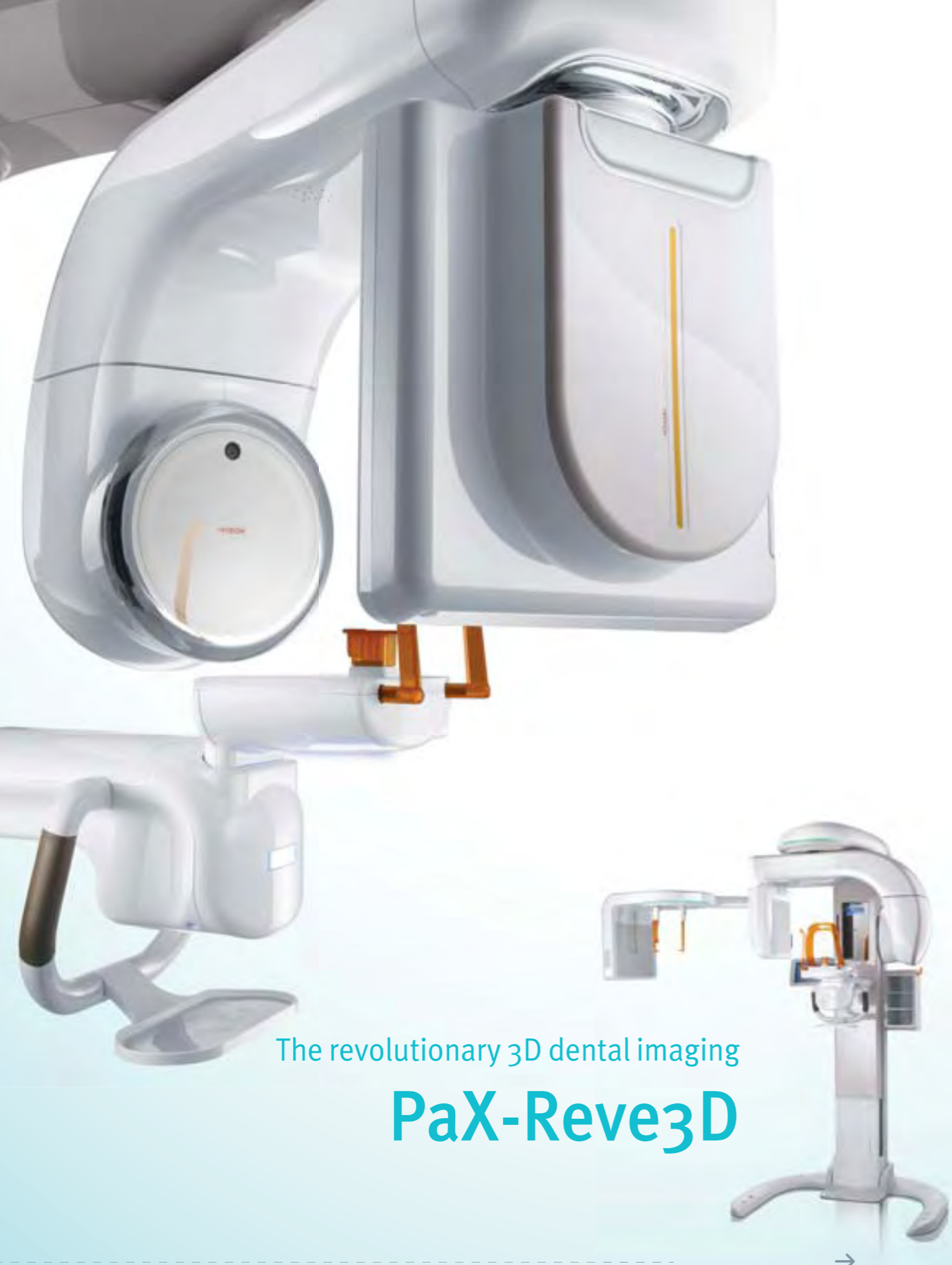
- ▶ Powerful CD Publishing
- ▶ Free simple viewer
- ▶ EzReport



Counsel function



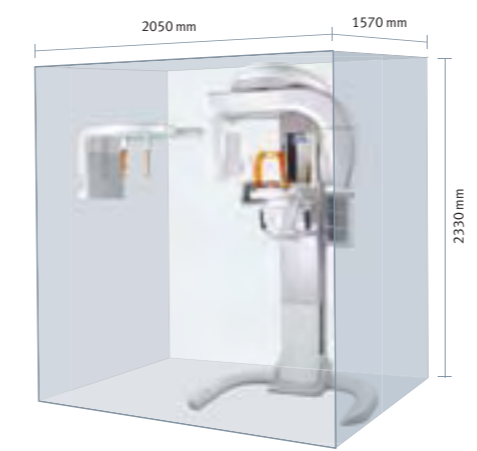
PaX-Reve3D _ Dimensions



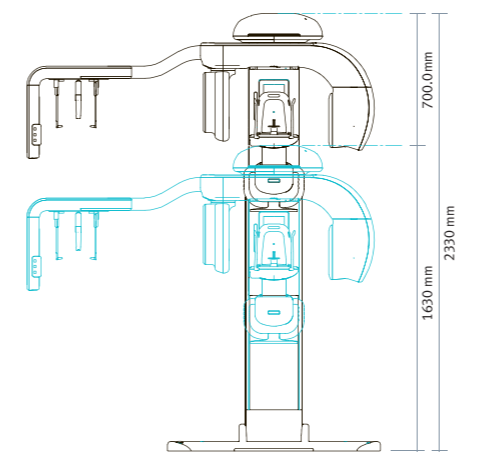
The revolutionary 3D dental imaging
PaX-Reve3D

PaX-Reve3D OS Pano / CBCT / Ceph

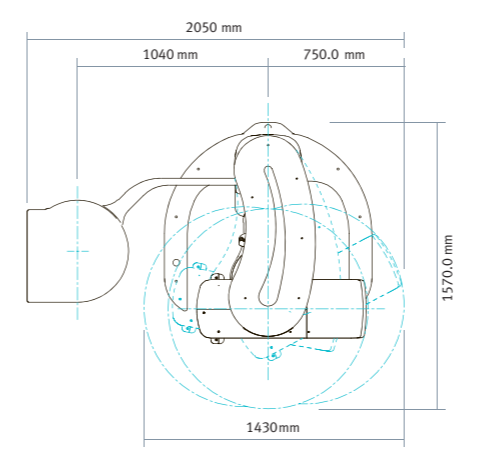
View



Front view

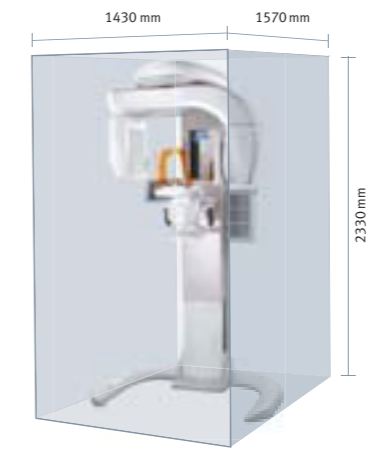


Top view

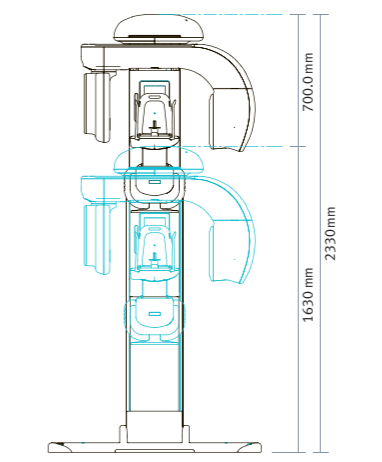


PaX-Reve3D Pano / CBCT

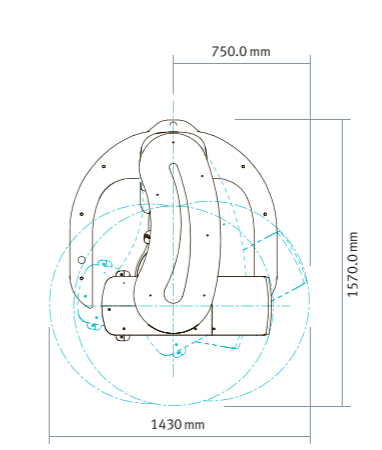
View



Front view



Top view



Specification

PaX-Reve3D	
Function	CBCT+Pano+Ceph
FOV Size (cm)	Free FOV 5x5~15x15 (Option: 15x19)
Exposure Time	CBCT : 15sec/24sec Pano : 3sec ~ 9.7sec Ceph : 0.9sec
Recon Time	less than 1 min
Voxel Size	0.08~0.3mm
CBCT Sensor Type	FPD
Rotation per Scan	360°
Generator	Type: Pulsed X-ray (CBCT) Voltage: 50-90kVp (Pano/CT) 60-90kVp (Ceph) Current: 2-10mA
Focal Spot	0.5mm
Patient Position	Standing/ Wheelchair accessible
Dimension (WxDxH mm)	2050x1570x2330

: World Wide Network



Head Office
 Factory
 CS Centre
 Branch Office



- Head Office** | Republic of Korea
- Factory** | China Shanghai, Republic of Korea Hwaseong, Republic of Korea Yongin
- CS Centre** | Europe_Germany / Asia_Singapore, Taiwan / North America_Houston
- Branch Office** | Europe_UK, France, Spain, Czech, Italy / Asia_China Beijing, China Shanghai, China Guangzhou, Hong Kong, Taiwan, Singapore / North America_New Jersey, Houston
- Dealers** | Europe_Belgium, Bulgaria, Croatia, Cyprus, France, Germany, Greece, Hungary, Italy, Netherlands, Poland, Portugal, Romania, Russia, Slovenia, Spain, Switzerland, Sweden, Ukraine / Asia_Bangladesh, Brunei, Hong Kong, India, Indonesia, Japan, Nepal, Malaysia, Myanmar, Pakistan, Philippines, Singapore, Sri Lanka, Taiwan, Thailand, Turkey, Vietnam / South America_Argentina, Bolivia, Brazil, Chile, Colombia, Nicaragua, Paraguay, Peru, Venezuela / North America_Canada, Mexico / Oceania_Australia, New Zealand / Africa_Egypt, Morocco, Libya, South Africa / Middle East_Iran, Iraq, Jordan, Kuwait, Lebanon, Saudi Arabia, Syria, Qatar, U.A.E, Yemen, Israel